



BENNY KONG & YEUNG
SOLICITORS

江炳滔律師事務所

Agents for Patents, Trade Marks and Designs
專利、商標及外觀設計註冊代理人

知識產權
管理計劃
IPMM

DATE: 4th July 2011
OUR REF: 13287-L/BK/B/126-qianda
YOUR REF:
REPLY TO: Ms. Jennifer Chong/ Ms. Elsie Lau
Direct email: elsielau@bk.com.hk

香港金鐘夏慤道16號遠東
金融中心 29樓2901室
Unit 2901, 29th Floor, Far
East Finance Centre, 16
Harcourt Road, Admiralty,
Hong Kong

☎ : +852 2519 3567
☎ : +852 2519 3610
(Litigation)
☎ : +852 2519 9758
(Registration)
✉ : enquiry@bk.com.hk
🌐 : www.bk.com.hk

BY POST BY FAX (86-574-27661501) BY EMAIL (sale@energyer.com; sven.lin@hotmail.com; sales@car-toy.cn; yeshanxia@hotmail.com)

Zhe Jiang Qianda Imp. & Exp. Co., Ltd.
No. 65 Da He Tou Road,
Ningbo, Zhejiang,
China 315012

Attn: Mr. Sven Lin/ Mr. Wei Shen

Dear Sir:

Re: Infringement of Copyright
Respondent: Zhe Jiang Qianda Imp. & Exp. Co., Ltd.

We act for Honwell Products (HK) Limited of Hong Kong.

Our client is the owner of the copyright subsisting in original artistic works in relation to the designs of its popular LED light products named "Wireless Led Task Light" with model no. H-620 and "Wireless LED under Cabinet Light" with model no. H-703 ("our client's Products"). Our Client has the right to take legal action to protect the said copyright which is protected under the laws in various countries of the World, including PRC and Hong Kong.

Copies of the photographs featuring our client's Products marked **Annexure A** are enclosed.

Our client is also the registered proprietor of the design of our client's Products registered in the State Intellectual Property Office of the PRC with registration nos. ZL 200630010675.0 and ZL 200730004063.5 ("the PRC Registered Designs"). Our client has the right to take legal action to protect the PRC Registered Designs which are also protected under the laws in PRC.

The PRC Registered Designs are applied to our client's Products. The rights and privileges conferred in respect of the PRC Registered Designs are valid and subsisting.

.../2

\\Bk-server\data\I-Department\C&D\Letters\13287-L\13287-L(4).doc

-2-

4th July 2011
Zhe Jiang Qianda Imp. & Exp. Co., Ltd.

It has come to our client's attention that you are promoting, offering and/or exposing for a LED light products named "LED touch lamp" with model no. LTO-01 and "LED spotlight" with model no. CAL-03 ("the Infringing Products"), which are reproductions or contain substantial reproduction of our client's Product.

In particular, you featured photograph of the Infringing Products at your websites, as per the hyperlinks listed below, as follows:-

1. http://www.alibaba.com/product-gs/283926041/LED_touch_lamp.html;
2. http://www.alibaba.com/product-gs/286059795/LED_spotlight.html;
3. http://sanmoo.en.alibaba.com/product/283926041-200380862/LED_touch_lamp.html; and
4. http://sanmoo.en.alibaba.com/product/286059795-200380862/LED_spotlight.html

Copies of the webpages featuring the Infringing Products marked **Annexure B** are enclosed.

By such unauthorized acts in dealing with the Infringing Products, you have infringed our client's copyright. You are demanded to immediately stop all dealings in and with the Infringing Products and to confirm that you will comply with the following:-

1. **Forthwith cease** all offer and/or exposure for sale and/or possession or howsoever any dealings in or with the Infringing Products.
2. You undertake to stop dealing in or with the Infringing Products in the future.
3. You do deliver up to our client all items of Infringing Products, together with any pamphlets, magazines or other advertising media relating thereto.
4. You do disclose, by means of a Statutory Declaration, all of your dealings in or with the Infringing Products, including the name and address of the supplier(s) of the Infringing Products; and exhibiting thereto all purchase documents, receipts and invoices relating to your dealings in or with the Infringing Products.
5. You will pay to our client damages at such amount to be assessed by the court, if not agreed.
6. You will pay to our client costs at such amount to be assessed by the Court, if not agreed.

.../3

-3-

4th July 2011
Zhe Jiang Qianda Imp. & Exp. Co., Ltd.

Our client will also require you to execute a Deed of Undertaking to the above effect.

We trust you will agree to the above terms to avoid unnecessary litigation. If we do not receive your confirmation that you will comply with the above terms **on or before 14th July 2011**, our client will appoint PRC attorneys to institute Court proceedings against you without further notice for injunctions, orders for delivery up, disclosure, legal costs and damages to compensate our client's losses.

If you have any questions, please contact our Ms. Elsie Lau at (+852) 2519 3567.

如對以上有任何問題，請與本行劉小姐聯絡 (電話 +852-2519-3567)。

Yours faithfully,



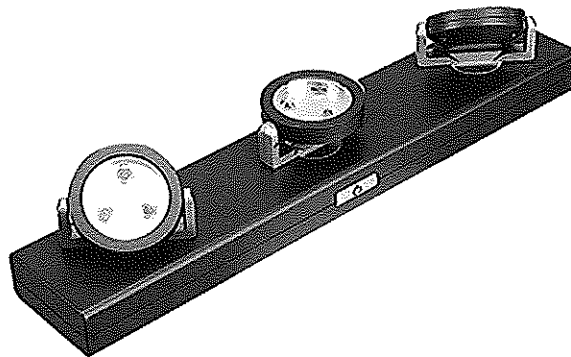
Benny Kong & Yeung, Solicitors
Encl
JC/el
c.c. client

Annexure A

Our client's Products



“Wireless Led Task Light” with model no. H-620



“Wireless LED under Cabinet Light” with model no. H-703

Annexure B

Welcome to Alibaba.com, [Join Free](#) | [Sign In](#)

[Buy](#) [Sell](#) [Community](#) [My Alibaba](#) [My Favorites](#) [Help](#)

[Products](#) [Suppliers](#) [Buyers](#)

Buy on [Alibaba.com](#) [Express.com](#)

Zhe Jiang Qianda

[Search Products](#)

About 2456 results: [LED Lamps \(510\)](#) , [LED Flashlights \(43\)](#)

[Advanced Search](#)

[Home](#) > [Products](#) > [Lights & Lighting](#) > [Lighting Fixtures](#) > [LED Lighting](#) > [LED Lamps \(1203667\)](#)

[Language Options](#)



[See larger image: LED touch lamp](#)

[Add to My Favorites](#)

LED touch lamp

FOB Price: **US \$0.7 - 1**
[Get Latest Price](#)

Port: **Ningbo**

Minimum Order Quantity: **2000 Piece/Pieces**

Supply Ability: **10000 Piece/Pieces per Month**

Payment Terms: **L/C,T/T**

Sample or Mini-Order: [Order now via](#)

Mr. Sven Lin

Offline

[Contact Supplier](#)

Send a Message to this Supplier

Supplier Details

Zhe Jiang Qianda Imp. & Exp. Co., Ltd.

[Zhejiang, China (Mainland)]

Business Type:

Manufacturer, Trading Company, Buying Office

[Contact Details](#)

Gold Supplier (3rd Year)

A&V Checked

Online Showroom: **888 Products**

888 Similar Products from this Supplier

[View this Supplier's Website](#)

[Report Suspicious Activity](#)

Product Details

Company Profile

Quick Details

Place of Origin: **Zhejiang China (Mainland)**

Model Number: **LTO-01**

Color: **White**

Life: **50,000h**

Product name: **LED touch lamp**

Specifications

LED touch lamp

5 LEDs

rotatable

Using 3pcs AAA Battery

LED touch lamp

2 brightness selections: strong light or stronger light

Color of the body is selectable

Double-sided tape and hanger hole on the back site.

Send your message to this supplier

From: Enter email or Member ID

To: **Mr. Sven Lin**
Zhe Jiang Qianda Imp. & Exp. Co., Ltd.

Message: Enter your inquiry details such as product name, color, size, MOQ, FOB, etc.

Enter between 20 to 8,000 characters.

[Send](#)

Related Products



LED touch lamp
LED touch lamp 5 LEDs rotatable
Using 3pcs AAA Battery
US \$ 0.7-1
Min. Order: 2000 Piece/Pieces



LED touch lamp
LED touch lamp Size:
86x86x30mm, Light source: 5pcs
LEDs Power supply: 3xAAA
batteries(not including)
US \$ 0.6-0.86
Min. Order: 2000 Piece/Pieces



Battery operated LED touch lamp
LED touch lamp Size:
67x67x27mm, Light source: 3pcs
LEDs Power supply: 3xAAA
batteries(not including)
US \$ 0.6-0.86
Min. Order: 2000 Piece/Pieces



LED touch lamp
LED touch lamp Size:
86x86x30mm, Light source: 3pcs
LEDs Power supply: 3xAAA
batteries(not including)
US \$ 0.6-0.86
Min. Order: 2000 Piece/Pieces



led touch lamp
LED touch lamp LED nums: 9pcs
Battery: 3AA
Min. Order: 2000 Piece/Pieces



Touch lamp
Touch lamp Input: 220V AC
Material:lamp base: metal plating,
lamp shell: glass With a E14 bulb
Size: Dia15cm x 14.5cm.
US \$ 3.5-5
Min. Order: 2000 Piece/Pieces

Comments or suggestions about this page? [Tell us](#)

Welcome to Alibaba.com, [Join Free](#) | [Sign In](#)

[Buy](#) [Sell](#) [Community](#) [My Alibaba](#) [My Favorites](#) [Help](#)

[Products](#) [Suppliers](#) [Buyers](#)

Buy on [Alibaba.com](#) [Buy on AliExpress.com](#)

Zhe Jiang Qianda

[Search Products](#)

About 325862 results: [LED Lamps \(123050\)](#), [Other LED Lighting \(4588\)](#), [LED Flashlights \(575\)](#)

[Advanced Search](#)

[Home](#) > [Products](#) > [Lights & Lighting](#) > [Lighting Fixtures](#) > [LED Lighting](#) > [LED Lamps \(1203307\)](#)

[Language Options](#)



LED spotlight

FOB Price: [Get Latest Price](#)
Minimum Order Quantity: 5000 Piece/Pieces
Supply Ability: 10000 Piece/Pieces per Month
Payment Terms: L/C,T/T
Sample or Mini-Order: [Order now](#) via

Mr. Sven Lin
[Offline](#)

[Contact Supplier](#)

Send a Message to this Supplier

Supplier Details

Zhe Jiang Qianda Imp. & Exp. Co., Ltd.

[Zhejiang, China (Mainland)]

Business Type:

Manufacturer, Trading Company, Buying Office

[Contact Details](#)

Gold Supplier [3rd Year]

A&V Checked

Online Showroom: [888 Products](#)

[888 Similar Products from this Supplier](#)

[View this Supplier's Website](#)

[See larger image: LED spotlight](#)

[Add to My Favorites](#)

[Report Suspicious Activity](#)

Product Details

Company Profile

Quick Details

Place of Origin: Zhejiang China (Mainland)

Model Number: CAL-03

Input Voltage: 9V

Life: 50,000h

Product name: LED spotlight

Packaging & Delivery

Packaging Detail: 24pcs/carton 64.5*32*24.5cm

Delivery Detail: 30days

Specifications

LED spotlight
with 6pcs AAA batteries
9pcs LEDs
3 class switch

LED spotlight ,

Size: 300*50*60mm,

It can be fixed with pothook, double-sided tape,

The lighting direction can be turned around easily.

Send your message to this supplier

From: Enter email or Member ID

To: **Mr. Sven Lin**
Zhe Jiang Qianda Imp. & Exp. Co., Ltd.

Message: Enter your inquiry details such as product name, color, size, MOQ, FOB, etc.

Enter between 20 to 8,000 characters.

[Send](#)

Related Products



LED spotlight

LED spotlight with 3pcs AAA batteries 3pcs super bright LEDs 3 class switch(strong, low, off) Variable rotation

US \$ 0.8-1.0
Min. Order: 3000 Piece/Pieces



LED spotlight

LED spotlight with 6pcs AAA batteries 9pcs LEDs 3 class switch

Min. Order: 5000 Piece/Pieces



LED spotlight

E27 1*3W Cree LED Constant Current Control Circuit



Sound activated LED spotlights

Comments or suggestions about this page? [Tell Us](#)

3rd year



Home Products TrustPass Profile About Us Contacts

search our products 送

Zhe Jiang Qianda Imp. & Exp. Co., Ltd.
[Zhejiang, China (Mainland)]

A&V Checked

Add Company to Favorites

Product Showcase [10]

Products [888]

LED Lights [67]

Traffic lights [32]

Children ride on cars [133]

Carbon Fibre Products [8]

Whiteboards [47]

FOOD WASTE DISPOSERS [3]

Bathroom/Kitchen Scale [28]

Furniture [19]

LED writing board [24]

Toy (children toy,education toy,) [64]

Sensor lamps [22]

Solar lights [21]

LED Table Lights [18]

LED Flashlights [12]

Electric Car Motors [6]

Toddler Baby Ride On [13]

Electric Quad/ATV [11]

Baby Stroller [67]

Household [59]

Baby products [11]

View more products

Ungrouped [15]

Company Profile

Management Philosophy

Marketing Vision

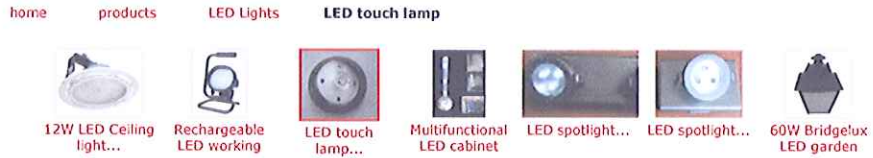
Management

Contact Person

Mr. Sven Lin
Add to my Contacts

Offline

View Contact Details



LED touch lamp

Report Suspicious Activity



LED touch lamp

Add to My Favorites

Sample or mini order: Order now

via Buyer Protection

Product Details:

Place of Origin: Zhejiang, China (Mainland)
Model Number: LTO-01
Color: White
Life: 50,000h
Product name: LED touch lamp

Payment & Shipping Terms:

Price: FOB USD 0.7~1
Get Latest Price
Minimum Order Quantity: 2000 Piece/Pieces
Port: Ningbo
Delivery Time: 30days
Payment Terms: L/C,T/T
Supply Ability: 10000 Piece/Pieces per Month

Offline

View Contact Details

« Prev Product ... 22 23 24 25 26 27 28 ... Next Product »

Detailed Product Description

LED touch lamp
5 LEDs
rotatable
Using 3pcs AAA Battery

LED touch lamp
2 brightness selections: strong light or stronger light
Color of the body is selectable
Double-sided tape and hanger hole on the back site.

Language Option

Join Free | My Alibaba

Search Product

送出查詢

3rd year



Zhe Jiang Qianda Imp. & Exp. Co., Ltd.

Home

Products

TrustPass Profile

About Us

Contacts

search our products

送

Zhe Jiang Qianda Imp. & Exp. Co., Ltd.
[Zhejiang, China (Mainland)]

A&V Checked

Add Company to Favorites

Product Showcase [10]

Products [888]

LED Lights [67]

Traffic lights [32]

Children ride on cars [133]

Carbon Fibre Products [8]

Whiteboards [47]

FOOD WASTE DISPOSERS [3]

Bathroom/Kitchen Scale [28]

Furniture [19]

LED writing board [24]

Toy (children toy,education toy,) [64]

Sensor lamps [22]

Solar Lights [21]

LED Table Lights [18]

LED Flashlights [12]

Electric Car Motors [6]

Toddler Baby Ride On [13]

Electric Quad/ATV [11]

Baby Stroller [67]

Household [59]

Baby products [11]

View more products

Ungrouped [15]

Company Profile

Management Philosophy

Marketing Vision

Management

Contact Person



Mr. Sven Lin

Add to my Contacts

Offline

home

products

LED Lights

LED spotlight



12W LED Ceiling light...



Rechargeable LED working



LED touch lamp...



Multifunctional LED cabinet



LED spotlight...



LED spotlight...



60W Bridgelux LED garden

LED spotlight

Report Suspicious Activi



LED spotlight

Add to My Favorites

Sample or mini order: [Order now](#) via Buyer Protection

Product Details:

Place of Origin	Zhejiang, China (Mainland)
Model Number	CAL-03
Input Voltage	9V
Life	50,000h
Product name	LED spotlight

Payment & Shipping Terms:

Price:	Get Latest Price
Minimum Order Quantity:	5000 Piece/Pieces
Packaging Details:	24pcs/carton 64.5*32*24.5cm
Delivery Time:	30days
Payment Terms:	L/C,T/T
Supply Ability:	10000 Piece/Pieces per Month

Offline



View Contact Details

<< Prev Product

...

22

23

24

25

26

27

28

...

Next Product >>

Detailed Product Description

LED spotlight with 6pcs AAA batteries
9pcs LEDs
3 class switch

LED spotlight ,
Size: 300*50*60mm,
It can be fixed with pothook, double-sided tape,
The lighting direction can be turned around easily.

Language Option



LED spotlight

Send your message to this supplier

Enter email or Member ID



Mr. Sven Lin

LED spotlight

Comments or suggestions about this page? [Tell us](#)